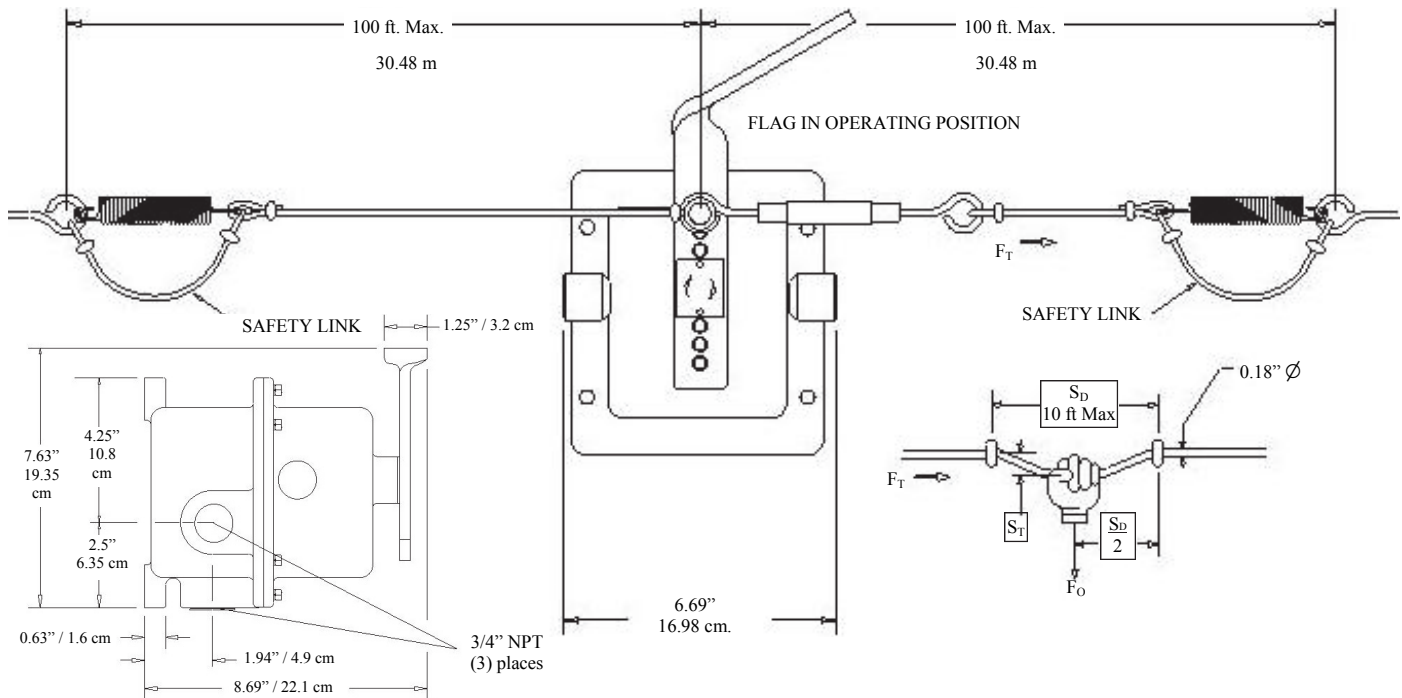


**SPECIFICATIONS / APPROVALS**  
for EXPLOSION RATED BI-DIRECTIONAL SWITCHES W/ CABLE BREAK DETECTION



Cables should be taut when installed properly and not pulled.

$F_T$  = The value of force, along the cable, which trips the switch.

$F_O$  = The value of force, applied by the operator perpendicular to the cable, which trips the switch.

$S_D$  = The distance between the cable supports.

$S_T$  = The distance the cable is deflected at the time of tripping.

Catalog Number	Contact Arrangement	Cable Position (hole)	$F_T$ Trip Force	$S_D = 5 \text{ ft.} / 1.5 \text{ m}$		$S_D = 10 \text{ ft.} / 3.0 \text{ m}$	
				$F_O$	$S_T$	$F_O$	$S_T$
04966-000	1 (NO / NC) SPDT	Top	20 lb. / 9.1 kg	10 lb. / 4.5 kg	10.2 in. / 25.8 cm	7.5 lb. / 3.4 kg	14.3 in. / 36.3 cm
04966-200	2 (NO / NC) SPDT						

**WARNING—DANGER**

These products should only be used where point-of-operation guarding devices have been properly installed & maintained so that appropriate OSHA and ANSI B11.1 regulations & standards are met. Misapplication of the products on machinery lacking effective point-of operation safeguards can cause serious injury to the operator of that machinery.

**AVERTISSEMENT - DANGER**

Ces produit doivent seulement être utilisés sur des postes à risque correctement sécurisés et entretenus afin d'être conforme aux standards et réglementations en vigueur (CSA, CLC). Un mauvais usage de ces produits sur des machines et des postes de travail non sécurisés de manière efficace peut causer des blessures graves au technicien maniant ces machines.

UL listed (File E327580);

These switches comply with: UL-1203;

Ratings: 20 A: 125, 250, or 480 VAC;

10 A: 125 VAC "L" (tungsten filament lamp load);

½ A: 24 VDC; ½ A: 125 VDC; ¼ A: 250 VDC;

Explosion Rated: NEMA Type 7—Class I, Groups C & D;

UL / NEMA Type 9 Class II, Groups E, F, & G for Hazardous Locations Elect.

Operating Position: Can be mounted in any position.

1 HP: 125 VAC; 2 HP: 250 VAC

**AVAILABLE ACCESSORIES:**

02005-605	02005-610	02005-615	02005-620	02005-625	02005-635	01004-055
Turnbuckle Tension Adj.	Cable, Steel	Thimble, Strain Relief	Rope Clip Standard	Cable Clip Optional	Eye Bolt Cbl. Support	Mounting Bracket